



tiso.global

# AUTOMATIC TOUCHLESS LIQUID DISPENSER STAND

THE BEST WAY TO PREVENT THE SPREAD OF VIRUSES AND BACTERIA



# TiSO TOUCHLESS AUTOMATIC DISPENSER STAND IS THE BEST WAY TO PREVENT THE SPREAD OF VIRUSES AND BACTERIA.

## ADVANTAGES OF TiSO DISPENSER

### STAND FOR HAND SANITISER:



Single dose adjustment  
from 0.5s to 6s / from 0.3ml to 4ml



Finely-dispersed spray  
provides cover all surfaces of hands



Touchless sensor (IR sensor)  
instant operation when raising hands



Ergonomics  
all design elements placed for maximum comfort  
work with equipment, including a simple refilling



Safe touchless use  
preventing the spread of germs by touching



Portability  
easy installation and use of product



RGB LED indicator light of the operating mode  
warning light notifies the user of the disinfection mode



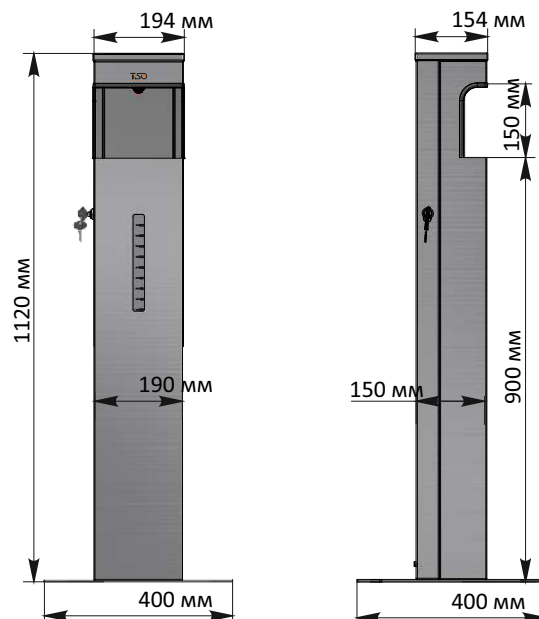
Robust anti-vandal construction  
stainless steel AISI 304 / steel painted in any RAL color



## TECHNICAL SPECIFICATIONS OF HAND SANITIZER STAND

Type of liquid	non-viscous liquid				
Type of control	automatic, touchless				
Volume	2 000 ml				
Sensing distance	<= 150 mm				
Average liquid supply	adjusted				
- liquid dispensing time	0,5 s	1 s	2,5 s	4 s	6 s
- liquid dosage	0,33 ml	0,66 ml	1,66 ml	2,6 ml	4 ml
Average liquid consumption	6000 doses				
Power supply:					
- input voltage	100 ~ 240 V				
- output voltage / current	12 V / 1 Å				
Power consumption	<=12 W				
Ingress Protection	IP41				
Light indication	RGB LED Backlighting				
Installation type of stand-dispenser	floor-mounted				
Material and housing	- brushed SS AISI 304 - powder coated in RAL colour				
Dispenser zone height	900 mm				
Item dimensions (HxLxW)	1120 x 154 x 194 mm				
Overall size of a stand basis (LxW)	400 x 400 mm				
Weight	<= 16 kg				

## OVERALL DIMENSIONS



TiSO dispenser stand is a modern solution against the spread of viruses and bacteria. The non-contact sensor activates the spray of disinfectant liquid on the hands, cleaning them.

Thanks to the modern design, such stand will look appropriate in any interior. Also, the TiSO dispenser rack is easy to maintain. And the liquid in the tank can be quickly updated.

### **TiSO DISPENSER STAND IS EQUIPPED WITH:**

---

- mechanism of dispenser;
- contactless sensor;
- a key for maintenance of stand;
- built-in liquid tank\*;
- drip tray made of stainless steel;
- AC/DC power supply.

\*disinfectant is not included

### **APPLICATION AREA OF TiSO HAND SANITIZER STAND:**

---

- Offices, business centers, manufacturing enterprises;
- Hairdressers, beauty salons, gyms, etc.;
- Sports facilities;
- Shopping and entertainment centers;
- Stores of all categories of goods;
- Medical facilities and pharmacies;
- Post offices, bank branches;
- Bus stations, railway stations, airports.



## WORK FEATURES OF HAND SANITIZER STAND:

Due to the finely dispersed spray, all hand surfaces are covered. The touch-free dispenser is equipped with an adjustable time and spray dose limiter. Standard dosage setting is 0.6 milliliters of liquid per 1 second. The product tank can hold 2 liters of liquid.

## USER-FRIENDLY OPERATION PRINCIPLE OF TISO HAND SANITIZER STAND

The sensor registers when your hands are approaching the dispenser area and automatically activates the flow of liquid. If infrared sensor no longer detects movement, the dispenser will operate once and switch into standby mode, which is confirmed by white flashing light. The dispenser will be ready for use once the sensor detects the light gap again. This increases cost efficiency as it will not operate if any object comes into sensor area.

### STANDBY MODE

white flashing light



### HAND SANITIZING MODE

solid blue light



### FINISHED HAND SANITIZING MODE

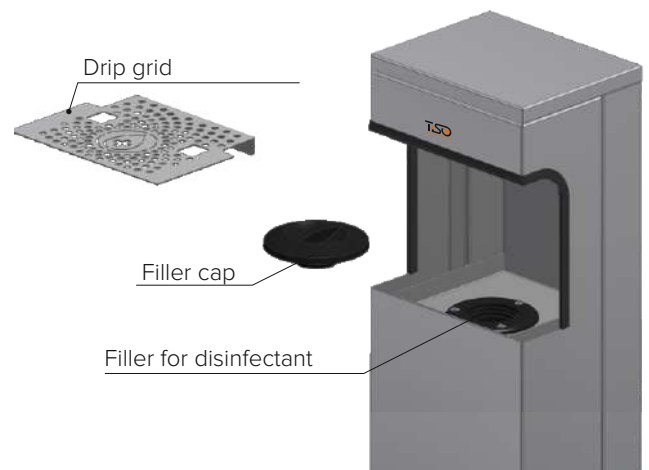
solid green light



## REFILLING THE CONTAINER WITH LIQUID:

Due to easy access to the container, you will quickly refill it with disinfectant. This requires:

- turn off the power at the dispenser stand;
- remove the drip grid;
- unscrew the filler cap;
- carefully refill with the appropriate liquid to the top mark on the liquid level control inspection window.





#### **TiSO Global**

Kyiv, Ukraine  
14 Promyslova str., 02088,  
tel: +380 (44) 291 21 11  
e-mail: [sales@tiso.global](mailto:sales@tiso.global)  
[www.tiso.global](http://www.tiso.global)

#### **TiSO ME**

Dubai, UAE  
Dubai South, B4 Building, Office 231,  
P.O. Box 712990  
tel.: +971 (56) 799 6808  
e-mail: [sales.me@tiso.global](mailto:sales.me@tiso.global)  
[www.tiso.global](http://www.tiso.global)

#### **TiSO UK**

London, UK  
Innovation Centre, Highfields Drive,  
St Leonards on Sea. TN38 9UH. UK  
tel.: +44 (0)1424 858120  
e-mail: [sales@tisouk.com](mailto:sales@tisouk.com)  
[www.tisouk.com](http://www.tisouk.com)

#### **TiSO APAC**

Singapore  
78 Bedok North Road  
Unit 14-232 Singapore 460078  
tel.: +65 6256 0515  
e-mail: [enquiry@tisoapac.com](mailto:enquiry@tisoapac.com)  
[www.tisoapac.com](http://www.tisoapac.com)